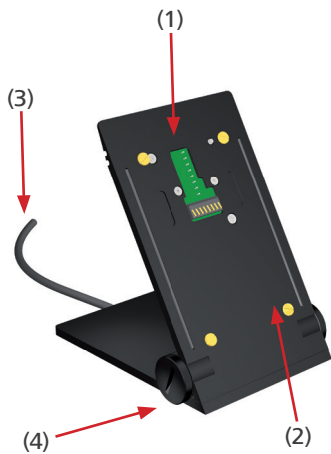


Assembly instruction CAI 1010

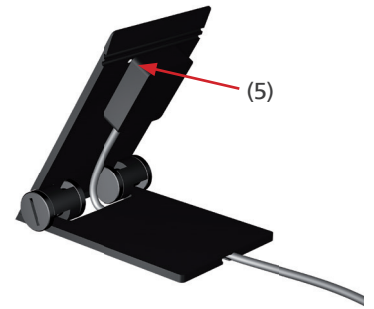
Attention

The indoor stations have to be (de-)installed only voltage-free!

The table rack is pre-configured and has to be connected to a RJ45 socket. Therefore, please note the connection diagram under "cable assignment"!

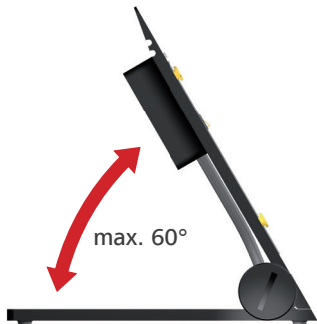


- (1) adapter plate
- (2) lock pins (4x)
- (3) connecting cable (2.5 m)
- (4) knurled screws
- (5) grub screw / hexagonal socket

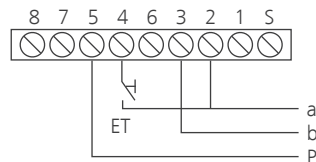


Set up the table rack

Turn the table rack into the desired position and fix the position by tightening the knurled screws by hand.



Connection terminal UAE socket with 8 pins



Cable assignment Cable is already pre-installed.

wires plug PIN no.		connect to connection terminal
2	orange	a
3	green/white	b
4	blue	E
5	blue/white	P

Install the device

Take the device into both hands and centre it on the middle of the adapter plate. Leave around 10mm space to the lower edge of the adapter plate. Slightly press the device flush onto the adapter plate (1) and move it carefully downwards (2) until the holes in the backside of the device look into the lock pins. Push it downwards now until the stop.

Tighten the grub screw with a suitable screwdriver only by hand!

To make sure that the device is snapped-on correctly, slightly try to push it upwards. This should not be possible.

Deinstall the device

Loosen the grub screw for deinstalling the device. Take the device into both hands. Push the device upwards (3) and pull it off towards you (4).

