

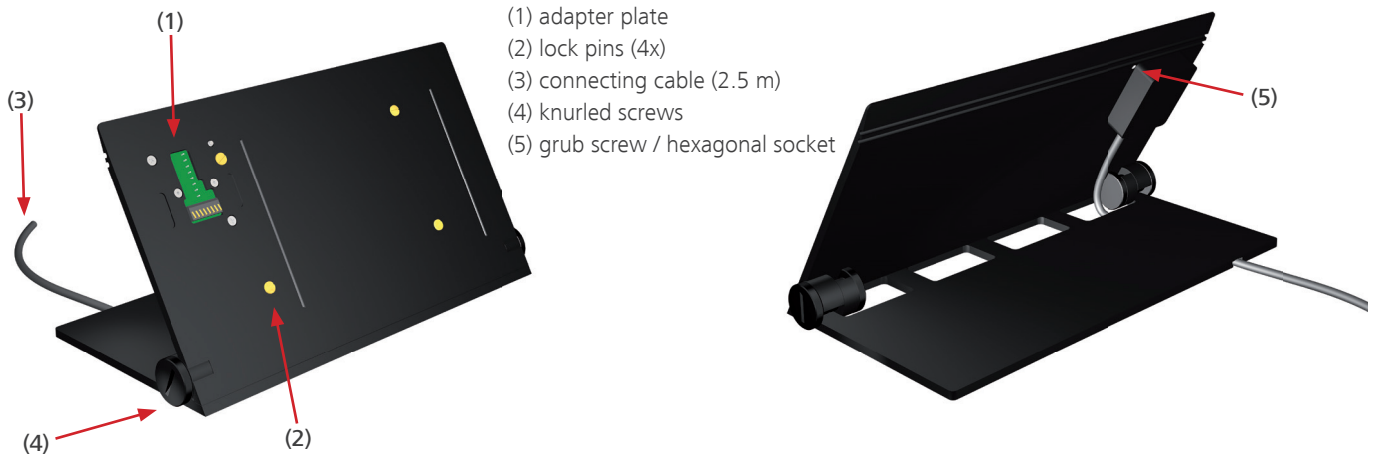
Assembly instruction

CAI 1210 / CAI 2210

Attention

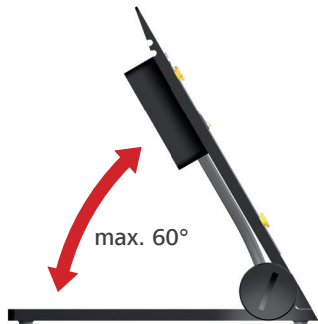
The indoor stations have to be (de-)installed only voltage-free!

The table rack is pre-configured and has to be connected to a RJ45 socket. Therefore, please note the connection diagram under "cable assignment"! In delivery state the device is equipped with a terminating resistor between V1 and V2. Observe the notes for installation under "terminating resistor" when installing a video device.

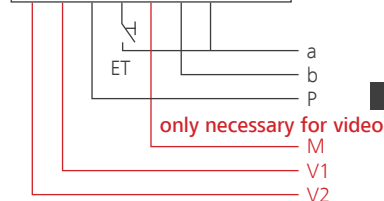
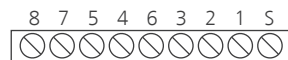


Set up the table rack

Turn the table rack into the desired position and fix the position by tightening the knurled screws by hand.



Connection terminal UAE socket with 8 pins



Cable assignment Cable is already pre-installed.

wires	plug PIN no.	connect to connection terminal
orange	2	a
green/white	3	b
blue	4	E
blue/white	5	P
green	6	M
brown/white	7	V1
brown	8	V2

Terminating resistor

The monitor of the tabletop device is equipped with a terminating resistor ex works. The installation of the lines to the connection socket must be realised star-shaped and must NOT be looped through. Noncompliance leads to a video image with limited quality.

Install the device

Take the device into both hands and centre it on the middle of the adapter plate. Leave around 10mm space to the lower edge of the adapter plate. Slightly press the device flush onto the adapter plate (1) and move it carefully downwards (2) until the holes in the backside of the device look into the lock pins. Push it downwards now until the stop.

Tighten the grub screw with a suitable screwdriver only by hand!

To make sure that the device is snapped-on correctly, slightly try to push it upwards. This should not be possible.

Deinstall the device

Loosen the grub screw for deinstalling the device. Take the device into both hands. Push the device upwards (3) and pull it off towards you (4).

