

Assembly instruction

- CAI 2200 -

Attention

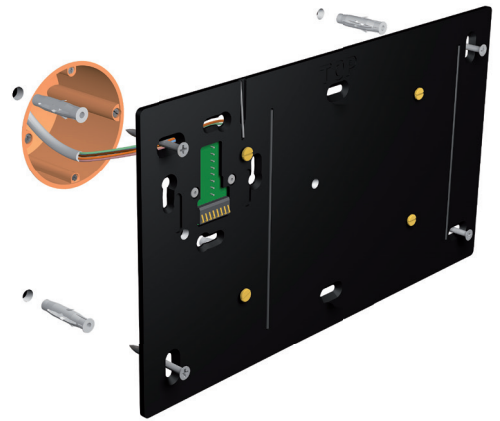
The indoor stations have to be (de-)installed only voltage-free!

When installing the adaptor plate on uneven surfaces it has to be ensured that the screws are not overtightened. Overtighten the screws may lead to a deformation of the adaptor plate. As a result contact problems might occur. Further, the correct snapping-on of the device on the adaptor plate might not be possible.

Install the adaptor plate

For an optimal operation, a mounting height of 1.60m is recommended (upper edge of the device). In order to place the cables without any problems, a flush-mounted socket must be installed behind the device.

Position the flush-mounted socket behind the adaptor plate so that all drill holes can be used to fix the plate to the wall and that the connection terminal does not contact the flush-mounted socket. Please use the adaptor plate only as a support tool for marking the holes. Do not use the adaptor plate as drilling template! Install the adaptor plate with the 4 enclosed screws to the wall.



Connect the lines

Connect the lines according to the labeling.

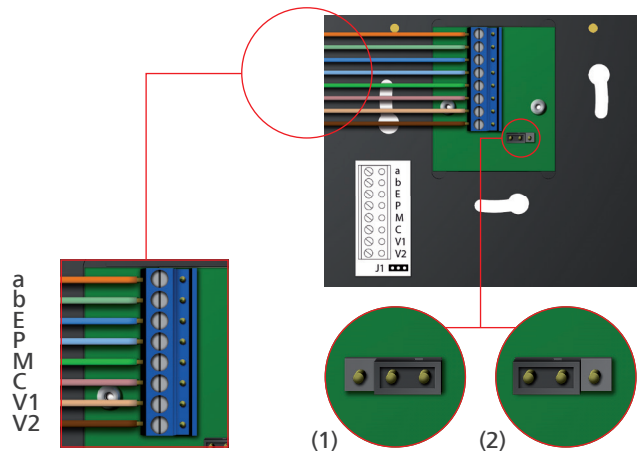
Matching resistor

The matching resistor is inactive in delivery state.

- Short-circuit connector is plugged right (illustration 1)

If the device is connected at the end of a line chain, the matching resistor must be activated.

- Short-circuit connector is plugged left (illustration 2)



Install the device

Take the device into both hands and centre it on the middle of the adaptor plate. There must be around 10mm space to the lower edge of the adaptor plate. Slightly press the device flush to the adaptor plate (1) and move it carefully downwards (2) until the holes in the backside of the device look into the locking bolts. Push it downwards now until the stop. To control if the device is snapped-on correctly, slightly try to push it upwards. This should not be possible.



Deinstall the device

For the deinstallation of the device the enclosed release bracket is needed. Insert the release bracket behind the device into the opening in the adaptor plate (1). Push the device upwards (2) and pull it off forward (3).

